

BC WIRE ROPE

Quality, No Compromise Since 1974

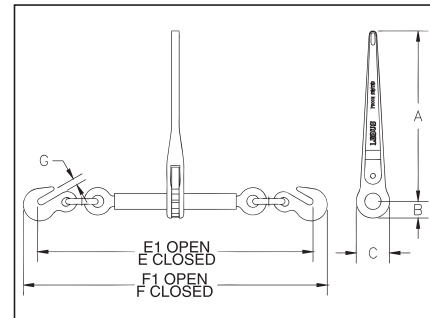


BC Wire Rope & Rigging is a full-service Rigging Loft incorporated in 1974. Our 'Quality, No compromise' philosophy has enabled us to grow throughout the many industries we serve. With corporate headquarters in Anaheim, CA, and branch locations in San Diego, CA, Tucson, AZ, Las Vegas, NV, and Elko, NV, BC Wire Rope & Rigging is committed to keeping our customers' jobs running smoothly. We do this by having in-house manufacturing, sufficient inventory, and a knowledgeable staff.

BC Wire Rope & Rigging is proud to offer the very best products in the industry. An authorized Distributor of Crosby, Bridon, and SlingMax products, we maintain a full inventory of products. We also provide products from other manufacturers depending on our customers' needs.

Crosby L-140 Standard Ratchet Type Load Binders

- Crosby L-140 Load Binders are upgraded for use with Grades 70, 80 and 100 Chain.
- Utilizes standard Crosby A-323 Alloy Eye Grab Hooks.
- New design "one piece" forged handle.
- Continuous take-up feature provides finite adjustment to tie down load.
- One piece assembly, no bolts or nuts to loosen. Ratchet spring is rust proofed.
- All load bearing or holding parts forged.
- Easy operating positive ratchet.
- Binders shown with Proof Loads have been individually proof tested to values shown, prior to shipment.
- Meets or exceeds requirements of US DOT FMCSA Part 393 Subpart I.



L-140 Standard Ratchet Type Load Binders (Meets or exceeds requirements of US DOT FMCSA Part 393 Subpart I.)

Model	Stock No.	Min-Max Chain Size (in)	Working Load Limit (lb)*	Proof Load (lb)	Weight Each (lb)	Handle Length (in)	Barrel Length (in)	Take Up (in)	Dimensions (in)							
									A	B	C	E	E1	F	F1	G
R-7 **	1048404	5/16-3/8	8800	17600	12.11	14	10	8.0	14.00	1.38	2.75	22.94	30.94	25.13	33.13	.50
R-A **	1048422	3/8-1/2	15000	30000	14.70	14	10	8.0	14.00	1.38	2.75	25.25	33.25	27.63	35.63	.63
R-C ***	1048440	1/2-5/8	16000	32000	14.55	14	10	8.0	14.00	1.38	2.75	26.38	34.38	29.44	37.44	.72

* Ultimate Load is 3 times the Working Load Limit. ** Matches the Working Load Limit of Grade 100 chain for both sizes. *** Matches the Working Load Limit of Grade 100 chain for 1/2" size.

CALL BC WIRE ROPE

800-669-5919