

BC WIRE ROPE

Quality, No Compromise Since 1974

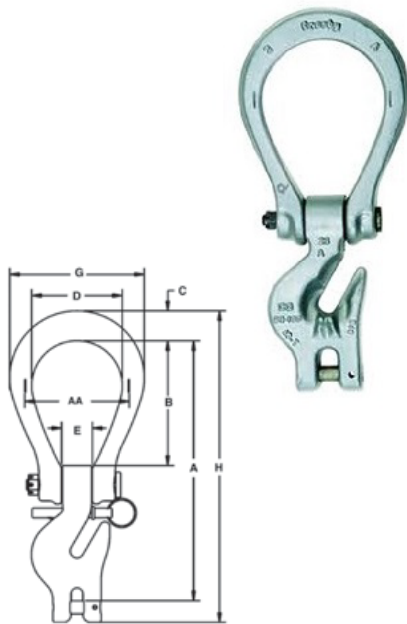


BC Wire Rope & Rigging is a full-service Rigging Loft incorporated in 1974. Our 'Quality, No compromise' philosophy has enabled us to grow throughout the many industries we serve. With corporate headquarters in Anaheim, CA, and branch locations in San Diego, CA, Tucson, AZ, Las Vegas, NV, and Elko, NV, BC Wire Rope & Rigging is committed to keeping our customers' jobs running smoothly. We do this by having in-house manufacturing, sufficient inventory, and a knowledgeable staff.

BC Wire Rope & Rigging is proud to offer the very best products in the industry. An authorized Distributor of Crosby, Bridon, and SlingMax products, we maintain a full inventory of products. We also provide products from other manufacturers depending on our customers' needs.

Crosby A-1361 Single Hook

The Crosby A-1361 Single Hook combines selected features and functionality of a master link, connecting link, grab hook and adjuster legs to provide you with one fitting that is suitable for applications that require an adjustable length chain sling.



- Forged Alloy Steel – Quenched and Tempered.
- Innovative two piece design allows for maximum flexibility.
- Individually Proof Tested with certification.
- The Crosby ELIMINATOR®, if properly installed and locked, can be used for personnel lifting applications and meets the intent of OSHA Rule 1926.1431(g)(1)(i)(A) and 1926.1501(g)(4)(iv)(B).
- Suitable for use with Grade 100 and Grade 80 chain.
- Engineered to accommodate optional locking pins that can be inserted to “lock” the shortened chain legs into place.
- Fatigue rated at 1-1/2 times the Working Load Limit at 20,000 cycles.
- Use the A-1361 and A-1362 in combination to make 3 leg chain slings.
- See Crosby General Catalog for load pin assembly instructions
- “Look for the Platinum Color – Crosby Grade 100 Alloy Products.”
- All sizes are RFID EQUIPPED.



A-1361 Crosby ELIMINATOR® Single Hook

Chain Size		Frame Size	Working Load Limit (lb)*	A-1361 Stock No.	L-1361 Stock No.	Weight Each (lb)	Dimensions (in)								S-4104N Replacement Latch Pin Stock No.
(in)	(mm)						A	B	C	D	E	G	H	AA	
1/4	7	2	4300	1049797	1049802	3.9	8.20	3.88	.90	3.00	.94	4.40	9.78	3.50	1092983
5/16	8	2	5700	1049804	1049809	3.9	8.18	3.88	.90	3.00	.94	4.40	9.78	3.50	1092983
3/8	10	3	8800	1049813	1049818	6.5	10.05	4.81	1.16	3.50	1.13	5.20	12.06	4.00	1092992
1/2	13	4	15000	1049822	1049827	13.5	12.88	6.00	1.63	4.13	1.31	6.39	15.57	5.00	1093001
5/8	16	5	22600	1049831	1049836	24.1	15.26	6.88	1.96	4.75	1.63	7.41	18.58	6.00	1093010

* Proof tested at 2.5 times the Working Load Limit. Minimum Ultimate Load is 4 times the Working Load Limit.

CALL BC WIRE ROPE