

BC WIRE ROPE

Quality, No Compromise Since 1974

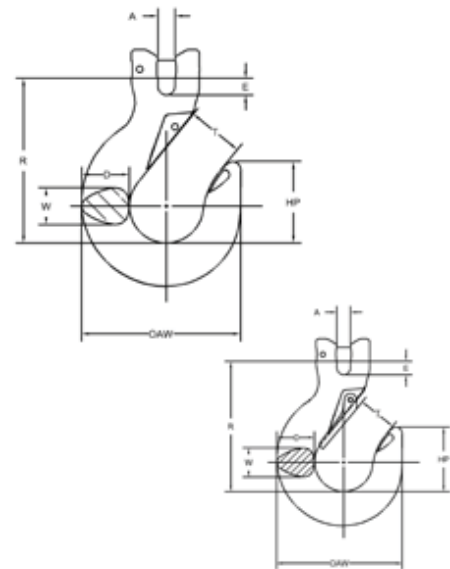


BC Wire Rope & Rigging is a full-service Rigging Loft incorporated in 1974. Our 'Quality, No compromise' philosophy has enabled us to grow throughout the many industries we serve. With corporate headquarters in Anaheim, CA, and branch locations in San Diego, CA, Tucson, AZ, Las Vegas, NV, and Elko, NV, BC Wire Rope & Rigging is committed to keeping our customers' jobs running smoothly. We do this by having in-house manufacturing, sufficient inventory, and a knowledgeable staff.

BC Wire Rope & Rigging is proud to offer the very best products in the industry. An authorized Distributor of Crosby, Bridon, and SlingMax products, we maintain a full inventory of products. We also provide products from other manufacturers depending on our customers' needs.

Campbell Quik-Alloy Sling Hooks

- Campbell Quik-Alloy Sling Hooks are For Use with Grade 80/100 Chain Slings
- 4 to 1 Design Factor
- Meets or Exceeds All Requirements of ASME B30.9 and B30.10
- 100% Proof Tested in Accordance with ASTM A952
- Additionally Hallmarked with "USA" and Date Code
- Made in the USA



Chain Size	Catalog No.	UPC No. 020418	Grade	Working Load Limit	Weight Each	Shelf Pack
9/32 in	5746415	222344	100	4300 lb	1.50 lb	20
3/8 in	5746615	221606	100	8800 lb	3.10 lb	10
1/2 in	5746815	222863	100	15000 lb	6.45 lb	-
5/8 in	5747015	225123	100	22600 lb	10.20 lb	-
3/4 in	5747215	225147	100	35300 lb	17.60 lb	-

Chain Size	Catalog No.	A Dim.	D Dim.	E Dim.	Load Pin Diameter	HP	OAW	R Dim.	T Dim.	W Dim.
9/32 in	5746415	5/16 in	1-1/8 in	11/32 in	3/8 in	1.78 in	3-7/8 in	3-3/4 in	1-1/4 in	3/4 in
3/8 in	5746615	7/16 in	1-7/16 in	1/2 in	1/2 in	2-3/8 in	4-1/2 in	4-3/4 in	1-9/16 in	1 in
1/2 in	5746815	9/16 in	2 in	5/8 in	5/8 in	3 in	6 in	5-3/4 in	1-7/8 in	1-3/8 in
5/8 in	5747015	23/32 in	2-3/8 in	3/4 in	3/4 in	3 in	6-9/16 in	7 in	2-3/8 in	1-1/2 in
3/4 in	5747215	13/16 in	2-7/8 in	7/8 in	15/16 in	3-3/8 in	7-3/4 in	7-3/4 in	2-1/2 in	1-3/4 in

CALL BC WIRE ROPE

800-669-5919